



Black Polymer

Grey Polymer

Aluminium

PRFB

- > Circular Floor Diffuser
- > Displacement
- > Adjustable

DESCRIPTION

The PRFB is a displacement flow diffuser that allows for close proximity placement and provides ultra-low noise. Available in plastic or aluminium and accompanied by a wide range of accessories, these diffusers are the number one choice for UFAD installations.

Fixing:

The adjustable diffuser face shall have a positive interlock with a mounting ring to reduce the chance of accidental adjustment due to foot traffic.

CONSTRUCTION

Available in fire rated engineered polymer or aluminium

Finish:

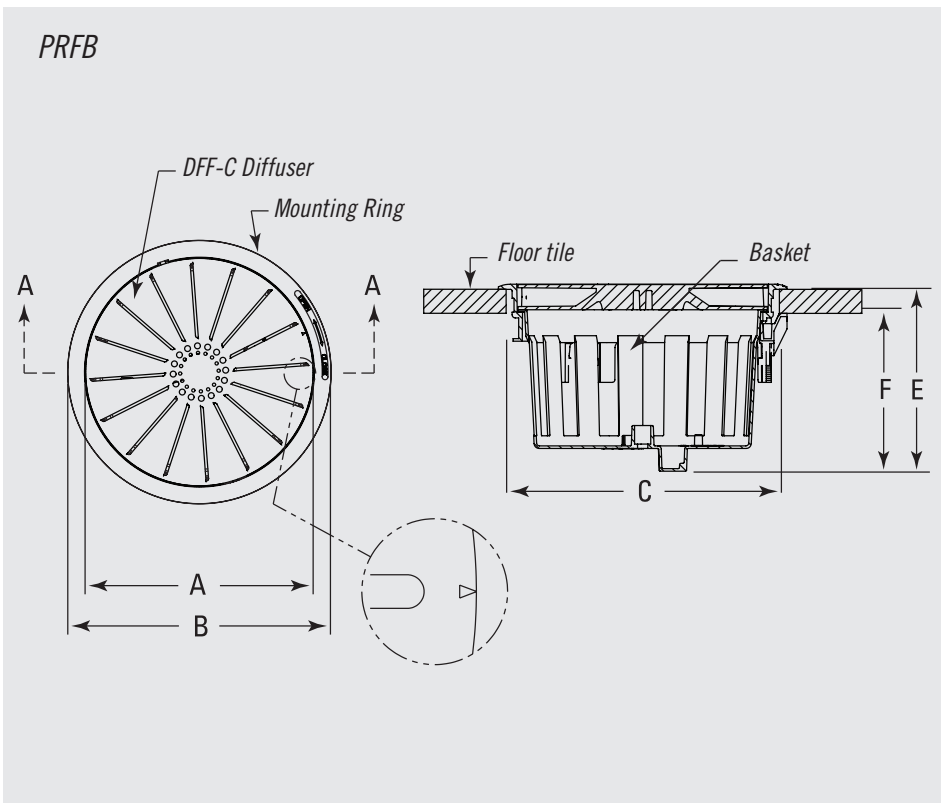
Aluminium, Grey or Black

Options:

- VAV basket
- Damper basket
- Ring claw for through-bore tiles

MODELS

PRFB: Displacement diffuser



DIMENSIONS (mm)			
Size	A	B	C
8	198	229	214

ACCESSORIES		
Size (mm)	E	F
Standard Basket (DBA)	146	127
Damper Basket (DB)	146	127
Basket (B)	146	127
Short Basket (BS)	70	51
Damper Short Basket (DBS)	70	51
Adjustable Damper Short Basket (DBAS)	70	51
Variable Volume Basket (DBV)	185	164

REMARKS

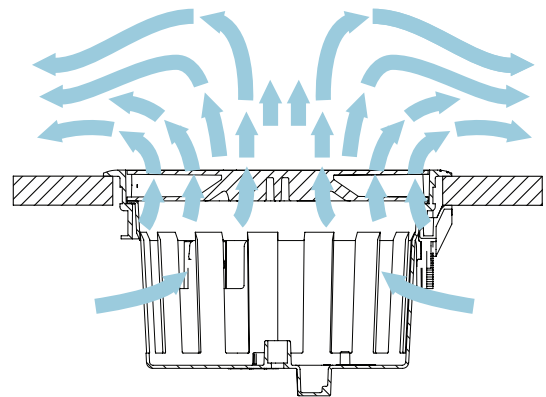
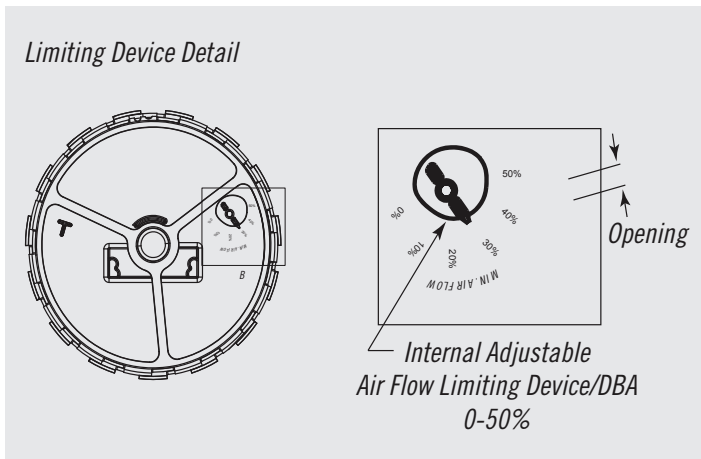
All dimensions are given in mm.

PRFB – SELECTION DATA

SELECTION DATA											
Model	Pressure (Pa)	7	10	12	15	17	20	22	25	27	30
No Basket	Air Flw (L/s)	12	15	17	20	22	24	26	27	29	30
	Sound (NC)	-	-	-	-	-	-	15	16	18	19
DB Basket	Air Flw (L/s)	12	13	15	16	18	21	23	25	26	27
	Sound (NC)	-	-	-	-	-	-	16	17	17	18
DBV 100% open	Air Flw (L/s)	12	14	15	17	19	21	23	25	26	27
	Sound (NC)	-	-	-	-	-	-	15	16	18	19
RBC Basket	Air Flw (L/s)	10	12	15	17	20	22	25	26	28	29
	Sound (NC)	-	-	-	-	-	-	15	17	18	20
150 mm boot ducted	Air Flw (L/s)	12	15	17	19	21	24	25	27	28	30
	Sound (NC)	-	-	-	-	-	-	15	17	18	20
150 mm boot plenum	Air Flw (L/s)	12	15	17	20	22	23	24	25	26	27
	Sound (NC)	-	-	-	-	-	-	16	18	21	23
200 mm boot ducted	Air Flw (L/s)	14	16	18	20	22	23	25	26	27	29
	Sound (NC)	-	-	-	-	-	-	16	17	19	20
200 mm boot plenum	Air Flw (L/s)	12	14	16	18	20	22	24	25	27	28
	Sound (NC)	-	-	-	-	-	-	16	18	21	23

INSERTION LOSS						
Octave Band	2	3	4	5	6	7
Centre Frequency (Hz)	125	250	500	1000	2000	4000
Loss (dB)	1	0	2	3	5	6

Internal Adjustable Air Flow



PERFORMANCE NOTES

- Units are tested in accordance with ASHRAE Standard 70-2006.
- Air flow is in litres per second, L/s.
- SP - Static pressure is in Pascals, Pa.
- NC levels are based on a room absorption of 10 dB, re10-12 watts and one diffuser.
- Blanks (-) indicate an NC below 15.
- Ducted indicates the PRFB is direct ducted to a supply source.
- Plenum indicates the PRFB is sourced from a pressurized plenum.
- All PRFB data tested with damper fully open where applicable.