

PRL

- > Weather Louvre
- > Circular
- > Rain Resistant Blade

DESCRIPTION

The round weather louvre PRL is suitable for intake and exhaust air.

CONSTRUCTION

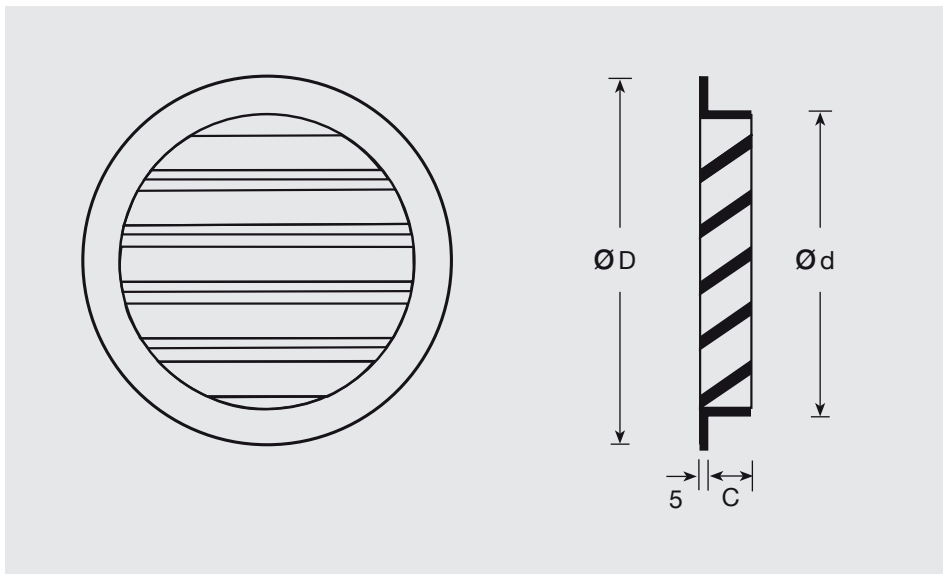
Die cast aluminium frame and blades.

Finish:
None

Wire mesh:
Insect screen

DIMENSIONS (mm)

Size	d	D	C	W
100	99	132	22	0.16
125	124	152	22	0.24
150	149	181	22	0.36
160	159	189	22	0.41
200	199	231	22	0.49
250	249	278	25	0.74
315	314	350	16	1.94
400	399	439	18	2.90



KEY INFORMATION

Sound power level L_{WA} , is shown in the graph.
The sound pressure level L_{pA} , at a distance of d [m] in free field (1/4 spherical): $L_{pA} = L_{WA} + K$ (see table below)

d [m]	1	2	3	4	5	10	20
K [dB]	-5	-12	-15	-17	-19	-25	-30

SELECTION DATA

Air Volume (m³/s)	100	125	160	200	250	315
	Pa	Pa	Pa	Pa	Pa	Pa
0.010	9					
0.015	22	7				
0.020	40	12				
0.030	90	29	11			
0.040		52	20	7		
0.060			48	18	6	
0.080			90	30	11	
0.100				47	18	8
0.150					45	16
0.200					80	30
0.300						80

