

PFTD

- > Floor Diffuser
- > Twist

DESCRIPTION

Floor twist diffuser. For false floor installation and for air delivery.

Fixing:

By fixing plate and screws for false floors with thickness less than 50 mm.

CONSTRUCTION

Die-cast. Dirt trap and adjustable swirl element are made of galvanised steel.

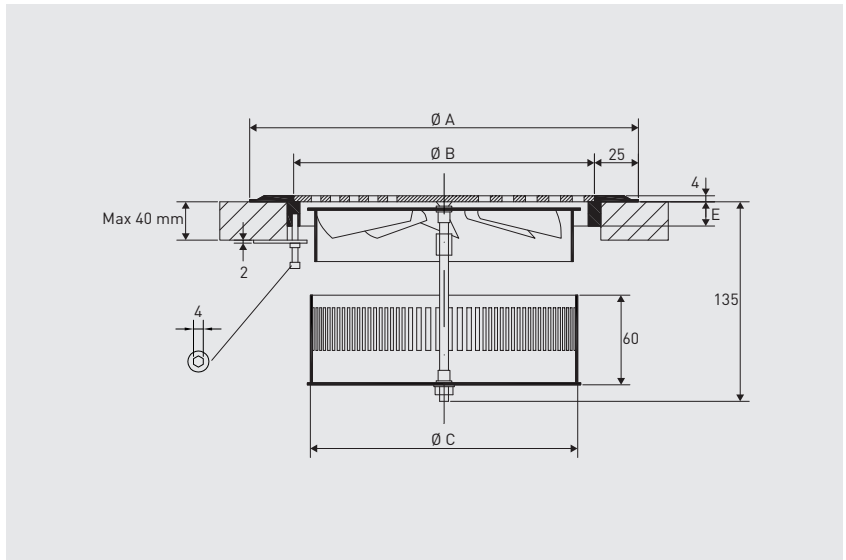
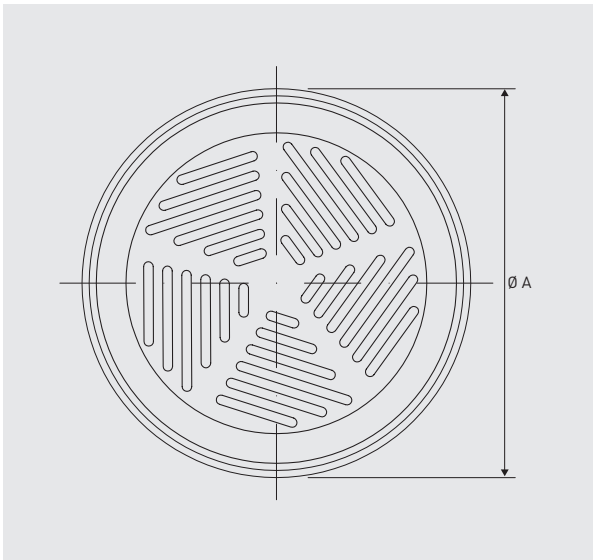
Finish:

De-burred aluminium.

DIMENSIONS (mm)				
Size	A Ø	B Ø	C Ø	D
150	190	140	126	14
200	240	190	176	19

NOTES

All dimensions are given in mm.



SUPPLY SELECTION DATA

Size	Free Area	m³/s		dB(A)		m		Pa	
		min	max	min	max	min	max	min	max
150	0.0045	0.011	0.022	41	58	0.47	0.72	10	50
200	0.0160	0.013	0.027	34	50	0.38	0.55	10	50

KEY INFORMATION

Throw based on diffuser installed in a standard dropped ceiling.

- m³/s = Air Volume
- dB(A) = Sound Power Level
- m = Velocity in metres
- Pa = Static Pressure Drop