

PTHF-175

- > Trench Heater (175 mm Wide)
- > Low Energy Consumption
- > 24 V DC EC Fan

DESCRIPTION

Designed to provide heating in areas with large glass walls, for either commercial or domestic applications with lengths from 700 mm to 4800 mm.

Fixing:

- floor installation
- adjustable fixing feet
- connects to LTHW systems

WORKING CONDITIONS

Max. temperature 110°C
Max. overpressure 1 MPa (10 bar)
Protection IP 20

Ambient conditions: Temp. T = +2 to +40°C, Humidity Rh = 20 to 70%

NOTES

All dimensions are given in mm. PTHF-175/80 is only available with aluminium low transverse grilles. Extension pieces and valves are available on request.

CONSTRUCTION

Galvanised steel trough with black powder coating interior. Anodised aluminium ledge.

Grilles:

Anodised aluminium, wood, stainless steel.

Options:

- 'J' Ledge (standard) with a choice of colours
- 'L' Ledge overlapped flange with a choice of colours

GRILLE MATERIALS

Transverse roll up:

- Aluminium (no finish, bronze or black)
- Stainless Steel
- Oak (natural or stained)
- Beech (natural or stained)

Linear-non rolling:

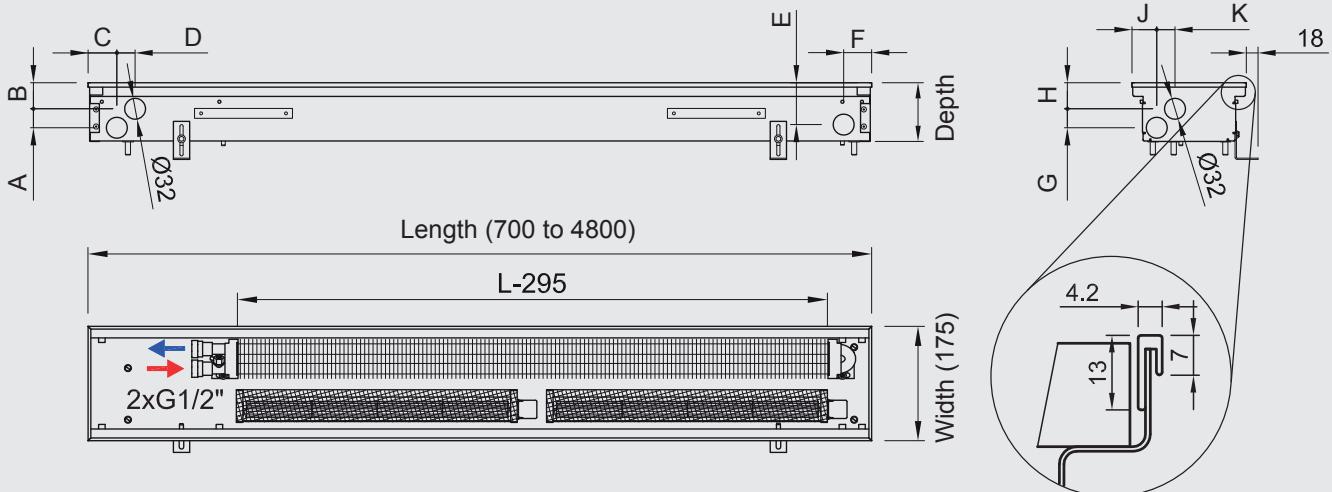
- Aluminium (none, bronze or black)

MODELS

- PTHF-175/80:** 80 mm depth (2 pass)
PTHF-175/90: 90 mm depth (2 pass)
PTHF-175/110: 110 mm depth (2 pass)

DIMENSIONS (mm)			
Model	80	90	110
A	N/A	29	29
B	43	40	40
C	35	44	44
D	38	28	28
E	56	64	84
F	48	43	43
G	26	29	29
H	32	40	40
J	36	38	38
K	28	28	28

PTHF-175/90 (2 pass)



PTHF-175 - SELECTION DATA

Q[W] 75/65/20°C (ΔT=50°C)		SPEED [-] / HEATING OUTPUT [W]					
		175/80		175/90		175/110	
		min	max	min	max	min	max
Lengths (mm)	700	94	347	102	390	89	306
	900	151	556	163	624	142	490
	1200	251	927	272	1040	236	817
	1500	339	1251	367	1403	319	1103
	1800	427	1575	463	1767	402	1389
	2100	522	1925	565	2160	491	1697
	2400	584	2157	633	2420	550	1901
	3000	742	2738	804	3072	698	2414
	3600	955	3526	1035	3956	899	3108
	4200	1113	4107	1206	4608	1047	3621
	4800	1264	4663	1369	5232	1189	4111

Q[W] 55/45/20°C (ΔT=30°C)		SPEED [-] / HEATING OUTPUT [W]					
		175/80		175/90		175/110	
		min	max	min	max	min	max
Lengths (mm)	700	54	198	58	222	51	174
	900	86	317	93	356	81	279
	1200	143	529	155	593	135	466
	1500	193	713	209	800	182	629
	1800	243	898	264	1007	229	792
	2100	298	1097	322	1231	280	967
	2400	333	1230	361	1380	314	1084
	3000	423	1561	458	1751	398	1376
	3600	544	2010	590	2255	513	1772
	4200	635	2341	688	2627	597	2064
	4800	721	2658	780	2983	678	2344

75/65/20 °C → 75°C inlet temperature, 65°C outlet temp., 20 °C room temp. / **Output 90/70/20 °C** = ~ 1,22 x 75/65/20 °C / **Output 70/55/20 °C** = ~ 0,84 x 75/65/20 °C / Heating outputs in accordance with EN442 / Not listed heating outputs for lengths per 100 mm steps calculate linearly.

		SPEED [-] / ACOUSTIC PRESSURE [dB(A)]					
		175/80		175/90		175/110	
		min	max	min	max	min	max
Lengths (mm)	700	20	29	20	29	20	29
	900	20	30	20	30	20	30
	1200	20	31	20	31	20	31
	1500	20	33	20	33	20	33
	1800	20	34	20	34	20	34
	2100	20	35	20	35	20	35
	2400	20	35	20	35	20	35
	3000	20	36	20	36	20	36
	3600	20	37	20	37	20	37
	4200	20	38	20	38	20	38
	4800	20	38	20	38	20	38

Acoustic pressure level choose according to specific environment.

		SPEED [-] / FANS INPUT POWER [W]					
		175/80		175/90		175/110	
		min	max	min	max	min	max
Lengths (mm)	700	1	2	1	2	1	2
	900	1	2	1	2	1	2
	1200	2	4	2	4	3	5
	1500	3	5	3	5	3	5
	1800	3	5	3	5	3	5
	2100	4	7	4	7	4	7
	2400	4	7	4	7	4	7
	3000	5	9	5	9	5	9
	3600	7	12	7	12	7	12
	4200	7	13	7	13	7	13
	4800	8	15	8	15	8	15

Approximate fan input powers / When using electrothermal actuator add in the trench heater's power 3 W

GENERAL

Fan speeds show max and min of 4 setting speeds