

PTHF-200

- > Trench Heater (200 mm Wide)
- > Low Energy Consumption
- > 24 V DC EC Fan

DESCRIPTION

Designed to provide heating in areas with large glass walls, for either commercial or domestic applications with lengths from 700 mm to 4800 mm.

Fixing:

- floor installation
- adjustable fixing feet
- connects to LTHW systems

WORKING CONDITIONS

Max. temperature 110°C
Max. overpressure 1 MPa (10 bar)
Protection IP 20

Ambient conditions: Temp. T = +2 to +40°C, Humidity Rh = 20 to 70%

NOTES

All dimensions are given in mm. PTF-200/80 is only available with aluminium low transverse grilles. Extension pieces and valves are available on request.

CONSTRUCTION

Galvanised steel trough with black powder coating interior. Anodised aluminium ledge.

Grilles:

Anodised aluminium, wood, stainless steel.

Options:

- 'J' Ledge (standard) with a choice of colours
- 'L' Ledge overlapped flange with a choice of colours

GRILLE MATERIALS

Transverse roll up:

- Aluminium (no finish, bronze or black)
- Stainless Steel
- Oak (natural or stained)
- Beech (natural or stained)

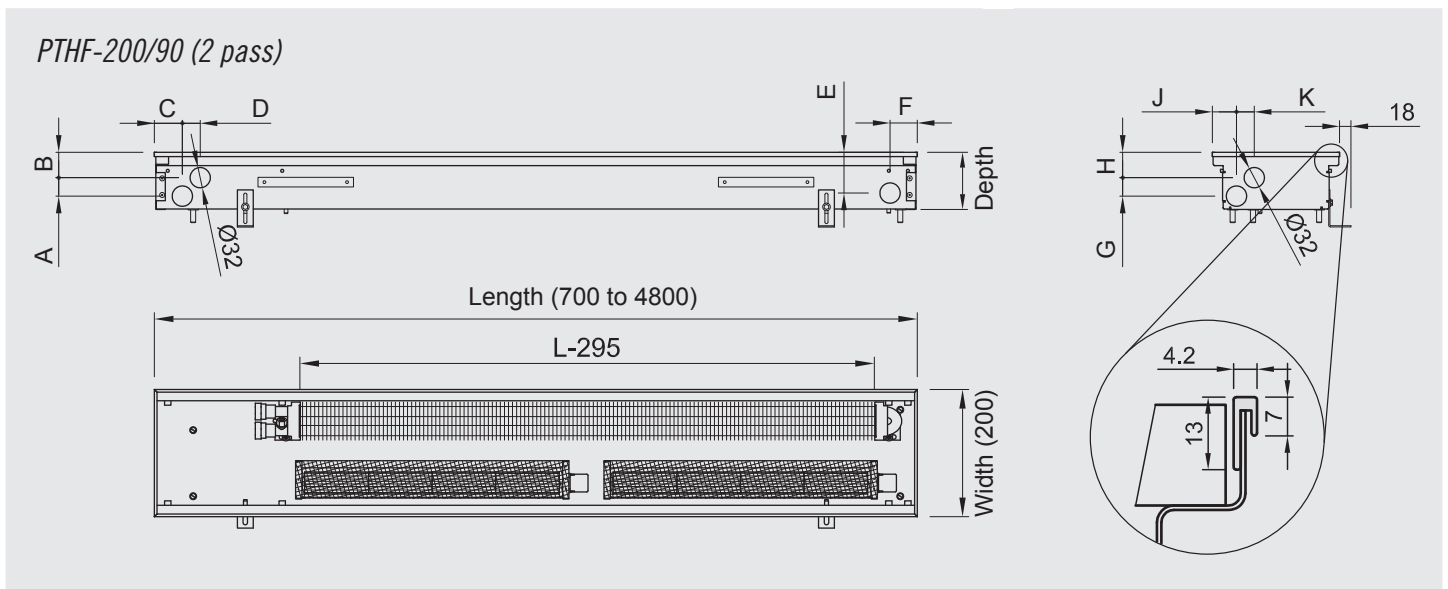
Linear-non rolling:

- Aluminium (none, bronze or black)

MODELS

- PTF-200/80:** 80 mm depth (2 pass)
PTF-200/90: 90 mm depth (2 pass)
PTF-200/110: 110 mm depth (2 pass)

DIMENSIONS (mm)			
Model	80	90	110
A	N/A	29	33
B	43	40	55
C	35	44	45
D	38	28	28
E	56	64	84
F	48	43	43
G	26	29	33
H	32	40	56
J	37	38	44
K	28	28	24



PTHF-200 – SELECTION DATA

Q[W] 75/65/20°C (ΔT=50°C)		SPEED [-] / HEATING OUTPUT [W]					
		200/80		200/90		200/110	
		min	max	min	max	min	max
Lengths (mm)	700	154	371	168	460	171	537
	900	246	593	268	736	273	860
	1200	410	988	447	1227	456	1433
	1500	554	1334	603	1656	615	1934
	1800	697	1680	760	2085	775	2436
	2100	852	2053	925	2539	934	2966
	2400	955	2300	1037	2846	1057	3324
	3000	1212	2920	1314	3606	1340	4212
	3600	1561	3760	1694	4649	1727	5430
	4200	1818	4380	1971	5409	2010	6318
4800	2064	4973	2239	6145	2283	7178	

Q[W] 55/45/20°C (ΔT=30°C)		SPEED [-] / HEATING OUTPUT [W]					
		200/80		200/90		200/110	
		min	max	min	max	min	max
Lengths (mm)	700	88	212	96	262	97	306
	900	140	338	153	420	156	490
	1200	234	563	255	700	260	817
	1500	316	761	344	944	351	1103
	1800	397	958	433	1189	442	1389
	2100	486	1170	527	1448	538	1691
	2400	544	1311	591	1623	603	1895
	3000	691	1665	749	2056	764	2401
	3600	890	2144	966	2650	985	3096
	4200	1036	2497	1124	3084	1146	3602
4800	1177	2835	1276	3503	1302	4092	

75/65/20 °C → 75°C inlet temperature, 65°C outlet temp., 20 °C room temp. / **Output 90/70/20 °C** = ~ 1,22 x 75/65/20 °C / **Output 70/55/20 °C** = ~ 0,84 x 75/65/20 °C / Heating outputs in accordance with EN442 / Not listed heating outputs for lengths per 100 mm steps calculate linearly.

		SPEED [-] / ACOUSTIC PRESSURE [dB(A)]					
		200/80		200/90		200/110	
		min	max	min	max	min	max
Lengths (mm)	700	20	29	20	37	20	37
	900	20	30	20	38	20	38
	1200	20	31	20	39	20	39
	1500	20	33	20	40	20	40
	1800	20	34	20	41	20	41
	2100	20	35	20	42	20	42
	2400	20	35	21	43	21	43
	3000	20	36	22	44	22	44
	3600	20	37	24	45	24	45
	4200	20	38	25	46	25	46
4800	20	38	26	47	26	47	

Acoustic pressure level choose according to specific environment.

		SPEED [-] / FANS INPUT POWER [W]					
		200/80		200/90		200/110	
		min	max	min	max	min	max
Lengths (mm)	700	1	2	1	3	1	3
	900	1	2	2	5	2	5
	1200	2	4	3	8	3	8
	1500	3	5	4	10	4	10
	1800	3	5	5	12	5	12
	2100	4	7	5	14	5	14
	2400	4	7	6	16	6	16
	3000	5	9	8	20	8	20
	3600	7	12	9	25	9	25
	4200	7	13	11	28	11	28
4800	8	15	12	33	12	33	

Approximate fan input powers / When using electrothermal actuator add in the trench heater's power 3 W

GENERAL

Fan speeds show max and min of 4 setting speeds