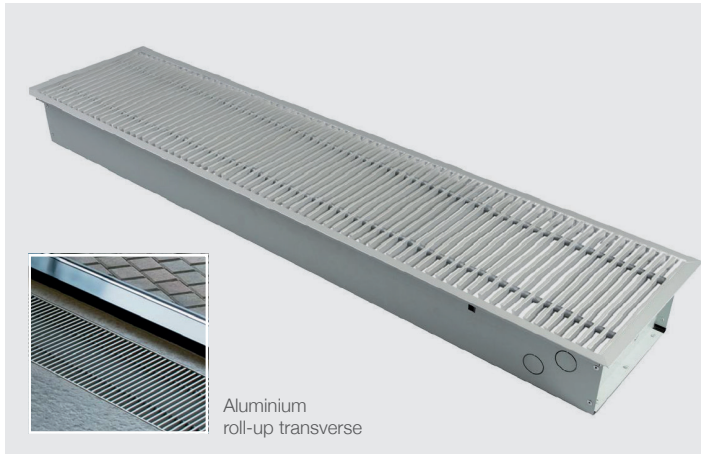




# PTHF-300

- > Trench Heater (300 mm Wide)
- > Low Energy Consumption
- > 24 V DC EC Fan



Aluminium roll-up transverse

## DESCRIPTION

Designed to provide heating in areas with large glass walls, for either commercial or domestic applications with lengths from 700 mm to 4800 mm.

### Fixing:

- floor installation
- adjustable fixing feet
- connects to LTHW systems

## WORKING CONDITIONS

Max. temperature 110°C  
Max. overpressure 1 MPa (10 bar)  
Protection IP 20

**Ambient conditions:** Temp. T = +2 to +40°C, Humidity Rh = 20 to 70%

## NOTES

All dimensions are given in mm. PTF-300/65 is only available with aluminium low transverse grilles. Extension pieces and valves are available on request.

## CONSTRUCTION

Galvanised steel trough with black powder coating interior. Anodised aluminium ledge.

### Grilles:

Anodised aluminium, wood, stainless steel.

### Options:

- 'J' Ledge (standard) with a choice of colours
- 'L' Ledge overlapped flange with a choice of colours

## GRILLE MATERIALS

### Transverse roll up:

- Aluminium (no finish, bronze or black)
- Stainless Steel
- Oak (natural or stained)
- Beech (natural or stained)

### Linear-non rolling:

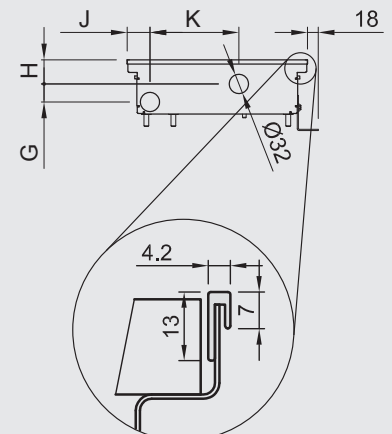
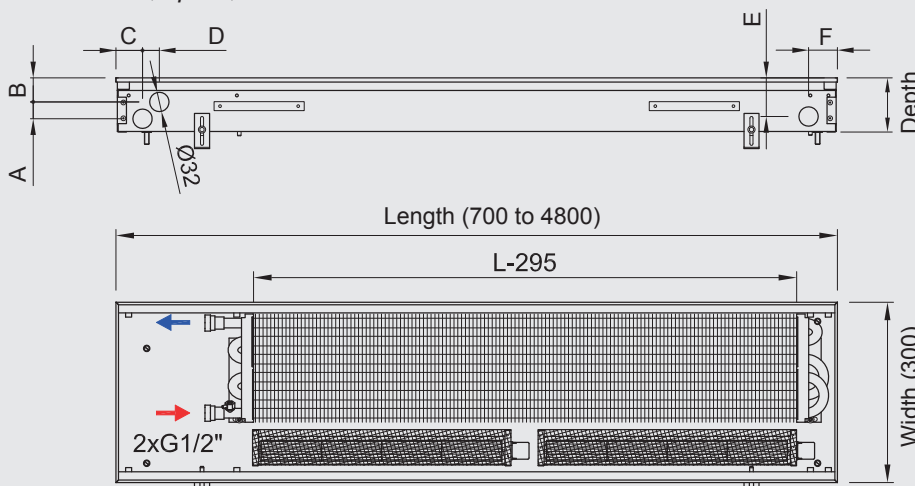
- Aluminium (none, bronze or black)

## MODELS

- PTF-300/65:** 65 mm depth (3 pass)  
**PTF-300/80:** 80 mm depth (3 pass)  
**PTF-300/90:** 90 mm depth (6 pass)  
**PTF-300/110:** 110 mm depth (6 pass)  
**PTF-300/125:** 125 mm depth (4 pass)  
**PTF-300/140:** 140 mm depth (4 pass)

DIMENSIONS (mm)						
Model	65	80	90	110	125	140
A	N/A	N/A	28	44	41	41
B	40	47	40	40	60	75
C	33	35	44	45	45	45
D	34	33	28	28	28	28
E	44	54	64	84	99	114
F	38	48	48	48	48	48
G	N/A	N/A	30	45	39	39
H	40	46	40	42	63	78
J	50	50	38	40	42	42
K	90	90	148	148	86	86

## PTHF-300/90 (6 pass)



# PTHF-300 – SELECTION DATA

Q[W] 75/65/20°C (ΔT=50°C)		SPEED [-] / HEATING OUTPUT [W]											
		300/65		300/80		300/90		300/110		300/125		300/140	
		min	max	min	max	min	max	min	max	min	max	min	max
Lengths (mm)	700	179	559	190	612	270	803	307	933	343	1114	446	1201
	900	287	894	304	979	433	1285	491	1493	574	1864	747	2009
	1200	478	1491	506	1632	721	2141	818	2488	917	2978	1193	3210
	1500	645	2012	683	2203	974	2891	1104	3359	1210	3927	1574	4233
	1800	812	2534	860	2774	1226	3640	1390	4230	1502	4876	1954	5256
	2100	992	3097	1051	3390	1493	4432	1693	5151	1908	6193	2482	6675
	2400	1112	3469	1177	3798	1673	4968	1897	5773	2084	6766	2712	7294
	3000	1411	4405	1495	4822	2120	6295	2404	7315	2667	8657	3469	9331
	3600	1817	5672	1988	6413	2733	8115	3099	9430	3418	11095	4446	11959
	4200	2117	6607	2242	7233	3180	9443	3606	10973	4000	12985	5204	13997
4800	2404	7501	2546	8212	3613	10727	4096	12466	4574	14849	5951	16007	

Q[W] 55/45/20°C (ΔT=30°C)		SPEED [-] / HEATING OUTPUT [W]											
		300/65		300/80		300/90		300/110		300/125		300/140	
		min	max	min	max	min	max	min	max	min	max	min	max
Lengths (mm)	700	102	319	108	349	154	458	175	532	196	635	254	685
	900	164	510	173	558	247	733	280	851	327	1063	426	1145
	1200	273	850	288	930	411	1221	466	1418	523	1698	680	1830
	1500	368	1147	389	1256	555	1648	629	1915	690	2239	897	2413
	1800	463	1445	490	1582	699	2075	792	2412	856	2780	1114	2997
	2100	566	1766	599	1933	851	2527	965	2937	1088	3531	1415	3806
	2400	634	1978	671	2165	954	2832	1082	3291	1188	3857	1546	4158
	3000	804	2511	852	2749	1209	3589	1371	4170	1521	4936	1978	5320
	3600	1036	3234	1133	3656	1558	4627	1767	5376	1949	6325	2535	6818
	4200	1207	3767	1278	4124	1813	5384	2056	6256	2280	7403	2967	7980
4800	1371	4276	1452	4682	2060	6116	2335	7107	2608	8466	3393	9126	

75/65/20 °C → 75°C inlet temperature, 65°C outlet temp., 20 °C room temp. / **Output 90/70/20 °C** = ~ 1,22 x 75/65/20 °C / **Output 70/55/20 °C** = ~ 0,84 x 75/65/20 °C / Heating outputs in accordance with EN442 / Not listed heating outputs for lengths per 100 mm steps calculate linearly.

Lengths (mm)		SPEED [-] / ACOUSTIC PRESSURE [dB(A)]											
		300/65		300/80		300/90		300/110		300/125		300/140	
		min	max	min	max	min	max	min	max	min	max	min	max
700	20	29	20	29	20	37	20	37	20	47	20	47	
900	20	30	20	30	20	38	20	38	21	48	21	48	
1200	20	31	20	31	20	39	20	39	22	49	22	49	
1500	20	33	20	33	20	40	20	40	23	50	23	50	
1800	20	34	20	34	20	41	20	41	24	50	24	50	
2100	20	35	20	35	20	42	20	42	25	51	25	51	
2400	20	35	20	35	21	43	21	43	26	52	26	52	
3000	20	36	20	36	22	44	22	44	27	53	27	53	
3600	20	37	20	37	24	45	24	45	28	54	28	54	
4200	20	38	20	38	25	46	25	46	28	55	28	55	
4800	20	38	20	38	26	47	26	47	28	56	28	56	

Acoustic pressure level choose according to specific environment.

Lengths (mm)		SPEED [-] / FANS INPUT POWER [W]											
		300/65		300/80		300/90		300/110		300/125		300/140	
		min	max	min	max	min	max	min	max	min	max	min	max
700	1	2	1	2	1	3	1	3	1	8	1	8	
900	1	2	1	2	2	5	2	5	1	15	1	15	
1200	2	4	2	4	3	8	3	8	1	20	1	20	
1500	3	5	3	5	4	10	4	10	2	27	2	27	
1800	3	5	3	5	5	12	5	12	2	34	2	34	
2100	4	7	4	7	5	14	5	14	3	44	3	44	
2400	4	7	4	7	6	16	6	16	3	46	3	46	
3000	5	9	5	9	8	20	8	20	4	60	4	60	
3600	7	12	7	12	9	25	9	25	5	75	5	75	
4200	7	13	7	13	11	28	11	28	5	87	5	87	
4800	8	15	8	15	12	33	12	33	6	101	6	101	

Approximate fan input powers / When using electrothermal actuator add in the trench heater's power 3 W

## GENERAL

Fan speeds show max and min of 4 setting speeds