

# PTHF-425

- > Trench Heater (425 mm Wide)
- > Low Energy Consumption
- > 24 V DC EC Fan

## DESCRIPTION

Designed to provide heating in areas with large glass walls, for either commercial or domestic applications with lengths from 700 mm to 4800 mm.

### Fixing:

- floor installation
- adjustable fixing feet
- connects to LTHW systems

## WORKING CONDITIONS

Max. temperature 110°C  
Max. overpressure 1 MPa (10 bar)  
Protection IP 20

**Ambient conditions:** Temp. T = +2 to +40°C, Humidity Rh = 20 to 70%

## NOTES

All dimensions are given in mm.  
Extension pieces and valves are available on request.

## CONSTRUCTION

Galvanised steel trough with black powder coating interior. Anodised aluminium ledge.

### Grilles:

Anodised aluminium, wood, stainless steel.

### Options:

- 'J' Ledge (standard) with a choice of colours
- 'L' Ledge overlapped flange with a choice of colours

## GRILLE MATERIALS

### Transverse roll up:

- Aluminium (no finish, bronze or black)
- Stainless Steel
- Oak (natural or stained)
- Beech (natural or stained)

### Linear-non rolling:

- Aluminium (none, bronze or black)

## MODELS

**PTF-425/90:** 90 mm depth (8 pass)

**PTF-425/110:** 110 mm depth (8 pass)

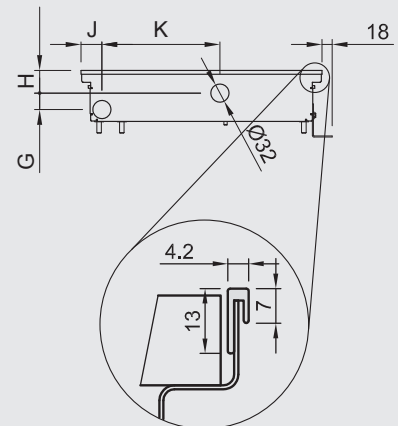
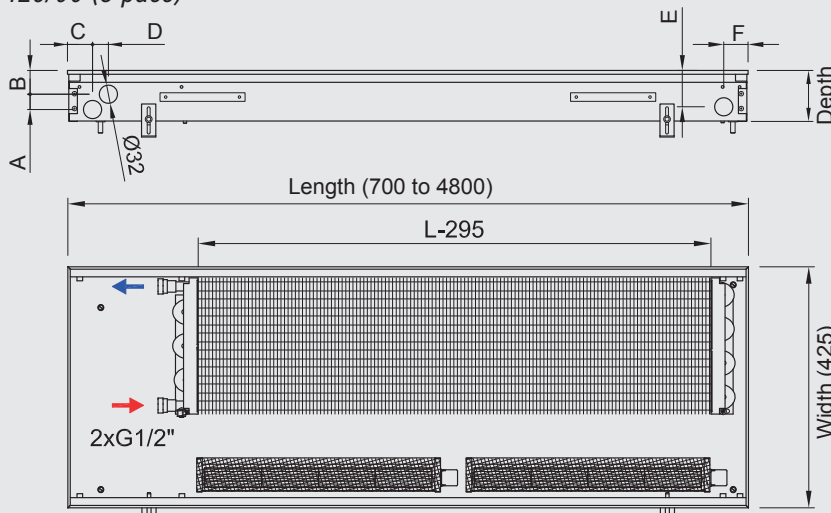
**PTF-425/125:** 125 mm depth (8 pass)

**PTF-425/140:** 140 mm depth (8 pass)

## DIMENSIONAL DATA (mm)

Model	90	110	125	140
A	27	48	50	52
B	42	40	52	67
C	44	44	44	44
D	28	28	28	28
E	64	84	99	114
F	43	43	43	43
G	29	48	50	48
H	40	40	54	70
J	37	42	42	42
K	208	206	206	206

## PTHF-425/90 (8 pass)



# PTHF-425 – SELECTION DATA

Q[W] 75/65/20°C (ΔT=50°C)		SPEED [-] / HEATING OUTPUT [W]							
		425/90		425/110		425/125		425/140	
		min	max	min	max	min	max	min	max
Lengths (mm)	700	289	871	409	1106	709	1616	757	1726
	900	463	1394	655	1769	1186	2704	1267	2888
	1200	772	2323	1092	2948	1895	4320	2024	4614
	1500	1042	3137	1474	3980	2498	5696	2669	6084
	1800	1312	3950	1856	5012	3102	7073	3314	7554
	2100	1597	4809	2260	6103	3940	8983	4209	9594
	2400	1790	5390	2533	6840	4305	9815	4599	10483
	3000	2269	6831	3210	8668	5508	12557	5884	13411
	3600	2925	8805	4137	11174	7059	16093	7541	17189
	4200	3403	10246	4814	13002	8261	18836	8826	20117
4800	3866	11640	5469	14771	9447	21540	10093	23005	

Q[W] 55/45/20°C (ΔT=30°C)		SPEED [-] / HEATING OUTPUT [W]							
		425/90		425/110		425/125		425/140	
		min	max	min	max	min	max	min	max
Lengths (mm)	700	165	497	233	631	404	921	432	984
	900	264	795	373	1009	676	1542	722	1647
	1200	440	1324	623	1681	1080	2463	1154	2631
	1500	594	1788	840	2269	1424	3247	1522	3469
	1800	748	2252	1058	2857	1769	4032	1889	4307
	2100	910	2742	1288	3479	2246	5121	2400	5470
	2400	1021	3073	1444	3900	2454	5596	2622	5977
	3000	1294	3894	1830	4942	3140	7159	3355	7646
	3600	1668	5020	2359	6371	4024	9175	4299	9800
	4200	1940	5841	2745	7413	4710	10739	5032	11469
4800	2204	6636	3118	8421	5386	12280	5754	13116	

75/65/20 °C → 75°C inlet temperature, 65°C outlet temp., 20 °C room temp. / **Output 90/70/20 °C** = ~ 1,22 x 75/65/20 °C / **Output 70/55/20 °C** = ~ 0,84 x 75/65/20 °C / Heating outputs in accordance with EN442 / Not listed heating outputs for lengths per 100 mm steps calculate linearly.

		SPEED [-] / ACOUSTIC PRESSURE [dB(A)]							
		425/90		425/110		425/125		425/140	
		min	max	min	max	min	max	min	max
Lengths (mm)	700	20	37	20	37	20	47	20	47
	900	20	38	20	38	21	48	21	48
	1200	20	39	20	39	22	49	22	49
	1500	20	40	20	40	23	50	23	50
	1800	20	41	20	41	24	50	24	50
	2100	20	42	20	42	25	51	25	51
	2400	21	43	21	43	26	52	26	52
	3000	22	44	22	44	27	53	27	53
	3600	24	45	24	45	28	54	28	54
	4200	25	46	25	46	28	55	28	55
4800	26	47	26	47	28	56	28	56	

Acoustic pressure level choose according to specific environment.

		SPEED [-] / FANS INPUT POWER [W]							
		425/90		425/110		425/125		425/140	
		min	max	min	max	min	max	min	max
	1	3	1	3	1	8	1	8	
	2	5	2	5	1	15	1	15	
	3	8	3	8	1	20	1	20	
	4	10	4	10	2	27	2	27	
	5	12	5	12	2	34	2	34	
	5	14	5	14	3	44	3	44	
	6	16	6	16	3	46	3	46	
	8	20	8	20	4	60	4	60	
	9	25	9	25	5	75	5	75	
	11	28	11	28	5	87	5	87	
	12	33	12	33	6	101	6	101	

Approximate fan input powers / When using electrothermal actuator add in the trench heater's power 3 W

## GENERAL

Fan speeds show max and min of 4 setting speeds