

PTHN-175

- > Trench Heater (175 mm Wide)
- > Low Energy Consumption
- > Natural Convection

DESCRIPTION

Designed to provide heating in areas with large glass walls, for either commercial or domestic applications with lengths from 700 mm to 4800 mm.

Fixing:

- floor installation
- adjustable fixing feet
- connects to LTHW systems

WORKING CONDITIONS

Max. temperature 110°C
Max. overpressure 1 MPa (10 bar)
Protection IP 20

Ambient conditions: Temp. T = +2 to +40°C, Humidity Rh = 20 to 70%

NOTES

All dimensions are given in mm.
Extension pieces and valves are available on request.

CONSTRUCTION

Galvanised steel trough with black powder coating interior. Anodised aluminium ledge.

Grilles:

Anodised aluminium, wood, stainless steel.

Options:

- 'J' Ledge (standard) with a choice of colours
- 'L' Ledge overlapped flange with a choice of colours

GRILLE MATERIALS

Transverse roll up:

- Aluminium (no finish, bronze or black)
- Stainless Steel
- Oak (natural or stained)
- Beech (natural or stained)

Linear-non rolling:

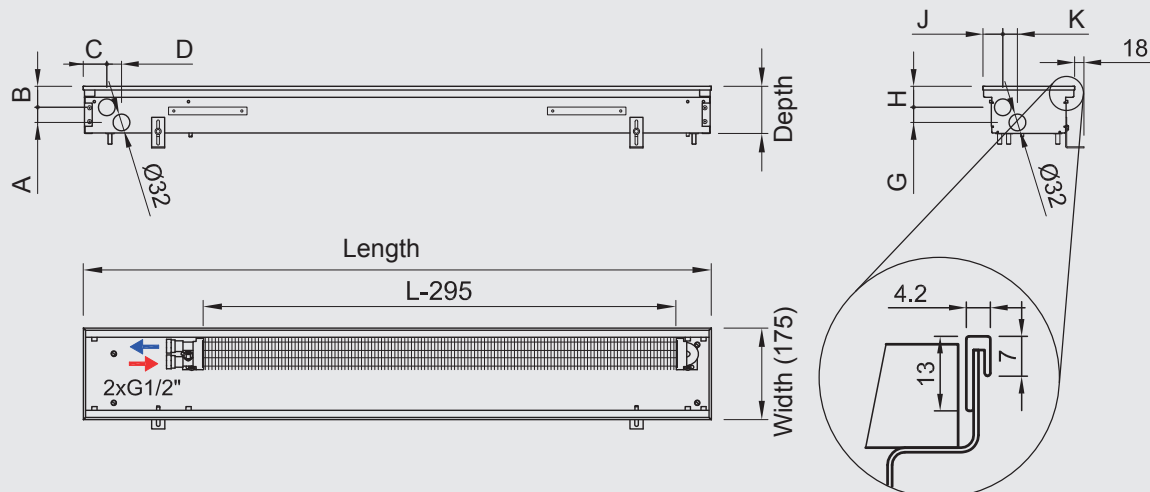
- Aluminium (none, bronze or black)

MODELS

- PTN-175/90:** 90 mm depth (2 pass)
PTN-175/110: 110 mm depth (2 pass)
PTN-175/125: 125 mm depth (2 pass)
PTN-175/140: 140 mm depth (2 pass)

DIMENSIONS (mm)				
Model	90	110	125	140
A	29	29	29	29
B	40	40	40	40
C	45	45	45	45
D	28	28	28	28
G	29	29	29	29
H	40	40	40	40
J	38	38	38	38
K	28	28	28	28

PTHN-175/90 (2 pass)



PTHN-175 – SELECTION DATA

Q[W] 75/65/20°C (ΔT=50°C)		HEATING OUTPUT [W]			
		175/90	175/110	175/125	175/140
		n=1.46	n=1.479	n=1.483	n=1.495
Lengths (mm)	700	79	103	107	111
	900	118	155	161	165
	1200	176	232	240	247
	1500	235	308	320	329
	1800	293	385	399	411
	2100	352	462	479	492
	2400	411	539	559	574
	3000	528	692	718	738
	3600	645	846	877	902
	4200	762	999	1036	1065
4800	879	1153	1195	1229	

Q[W] 55/45/20°C (ΔT=30°C)		HEATING OUTPUT [W]			
		175/90	175/110	175/125	175/140
		n=1.46	n=1.479	n=1.483	n=1.495
Lengths (mm)	700	37	48	50	52
	900	56	73	75	77
	1200	83	109	112	115
	1500	111	145	150	153
	1800	139	181	187	192
	2100	167	217	225	229
	2400	195	253	262	268
	3000	250	325	337	344
	3600	306	398	411	420
	4200	361	469	486	496
4800	417	542	560	573	

75/65/20 °C → 75°C inlet temperature, 65°C outlet temp., 20 °C room temp. / **Output 90/70/20 °C** = ~ 1,29 x 75/65/20 °C / **Output 70/55/20 °C**
 = ~ 0,80 x 75/65/20 °C / Heating outputs in accordance with EN442 / Not listed heating outputs for lengths per 100 mm steps calculate linearly.