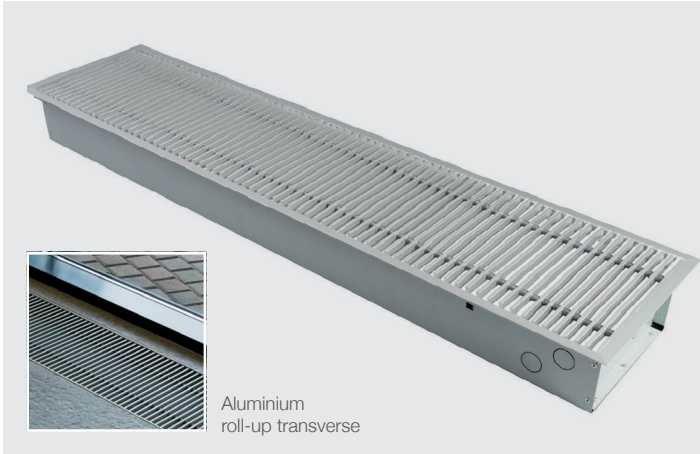




PTHN-200

- > Trench Heater (200 mm Wide)
- > Low Energy Consumption
- > Natural Convection



Aluminium roll-up transverse

DESCRIPTION

Designed to provide heating in areas with large glass walls, for either commercial or domestic applications with lengths from 700 mm to 4800 mm.

Fixing:

- floor installation
- adjustable fixing feet
- connects to LTHW systems

WORKING CONDITIONS

Max. temperature 110°C
Max. overpressure 1 MPa (10 bar)
Protection IP 20

Ambient conditions: Temp. T = +2 to +40°C, Humidity Rh = 20 to 70%

NOTES

All dimensions are given in mm.
Extension pieces and valves are available on request.

CONSTRUCTION

Galvanised steel trough with black powder coating interior. Anodised aluminium ledge.

Grilles:

Anodised aluminium, wood, stainless steel.

Options:

- 'J' Ledge (standard) with a choice of colours
- 'L' Ledge overlapped flange with a choice of colours

GRILLE MATERIALS

Transverse roll up:

- Aluminium (no finish, bronze or black)
- Stainless Steel
- Oak (natural or stained)
- Beech (natural or stained)

Linear-non rolling:

- Aluminium (none, bronze or black)

MODELS

PTN-200/90: 90 mm depth (2 pass)

PTN-200/110: 110 mm depth (2 pass)

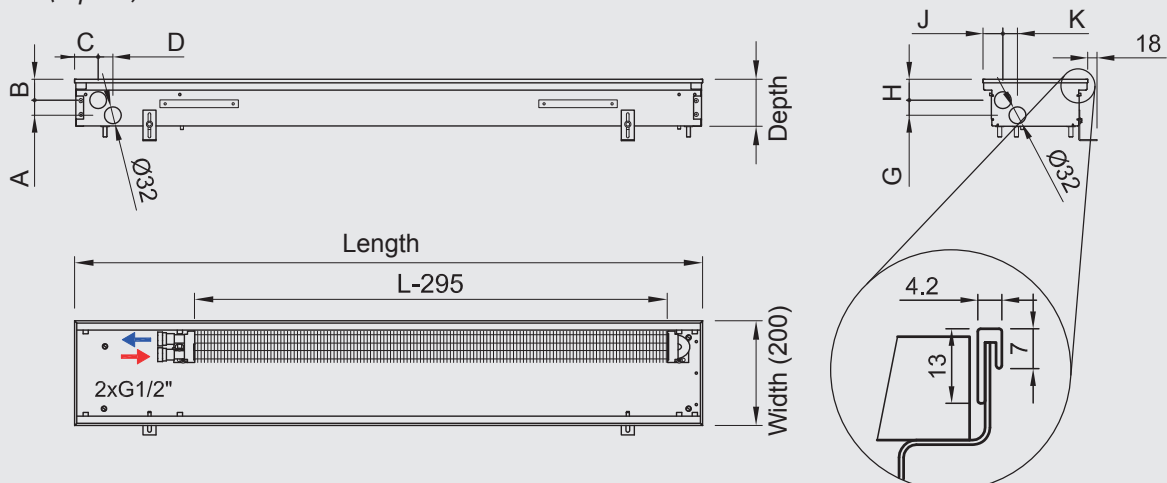
PTN-200/125: 125 mm depth (2 pass)

PTN-200/140: 140 mm depth (2 pass)

DIMENSIONS (mm)

Model	90	110	125	140
A	29	30	30	30
B	40	40	40	40
C	45	44	44	44
D	28	28	28	28
G	29	29	29	29
H	40	40	40	40
J	38	38	38	38
K	28	28	28	28

PTHN-200/90 (2 pass)



PTHN-200 – SELECTION DATA

Q[W] 75/65/20°C (ΔT=50°C)		HEATING OUTPUT [W]			
		200/90	200/110	200/125	200/140
		n=1.463	n=1.479	n=1.485	n=1.496
Lengths (mm)	700	94	110	112	116
	900	140	164	168	174
	1200	210	246	251	260
	1500	279	327	335	346
	1800	349	408	418	432
	2100	419	490	501	519
	2400	488	571	585	605
	3000	627	734	751	777
	3600	766	897	918	949
	4200	906	1060	1085	1122
	4800	1045	1222	1252	1294

Q[W] 55/45/20°C (ΔT=30°C)		HEATING OUTPUT [W]			
		200/90	200/110	200/125	200/140
		n=1.463	n=1.479	n=1.485	n=1.496
Lengths (mm)	700	45	52	52	54
	900	66	77	79	81
	1200	99	116	118	121
	1500	132	154	157	161
	1800	165	192	196	201
	2100	198	230	235	242
	2400	231	268	274	282
	3000	297	345	352	362
	3600	363	421	430	442
	4200	429	498	508	522
	4800	495	574	586	603

75/65/20 °C → 75°C inlet temperature, 65°C outlet temp., 20 °C room temp. / **Output 90/70/20 °C** = ~ 1,29 x 75/65/20 °C / **Output 70/55/20 °C**
 = ~ 0,80 x 75/65/20 °C / Heating outputs in accordance with EN442 / Not listed heating outputs for lengths per 100 mm steps calculate linearly.