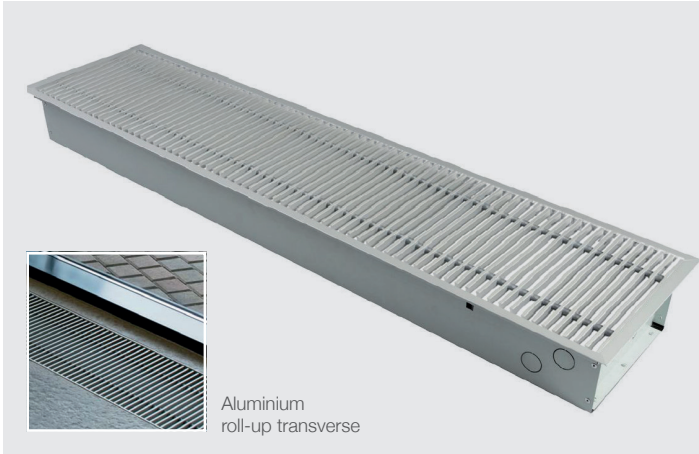




PTHN-250

- > Trench Heater (250 mm Wide)
- > Low Energy Consumption
- > Natural Convection



Aluminium roll-up transverse

DESCRIPTION

Designed to provide heating in areas with large glass walls, for either commercial or domestic applications with lengths from 700 mm to 4800 mm.

Fixing:

- floor installation
- adjustable fixing feet
- connects to LTHW systems

WORKING CONDITIONS

Max. temperature 110°C
Max. overpressure 1 MPa (10 bar)
Protection IP 20

Ambient conditions: Temp. T = +2 to +40°C, Humidity Rh = 20 to 70%

NOTES

All dimensions are given in mm.
Extension pieces and valves are available on request.

CONSTRUCTION

Galvanised steel trough with black powder coating interior. Anodised aluminium ledge.

Grilles:

Anodised aluminium, wood, stainless steel.

Options:

- 'J' Ledge (standard) with a choice of colours
- 'L' Ledge overlapped flange with a choice of colours

GRILLE MATERIALS

Transverse roll up:

- Aluminium (no finish, bronze or black)
- Stainless Steel
- Oak (natural or stained)
- Beech (natural or stained)

Linear-non rolling:

- Aluminium (none, bronze or black)

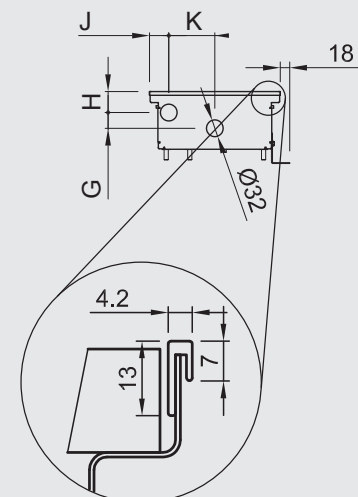
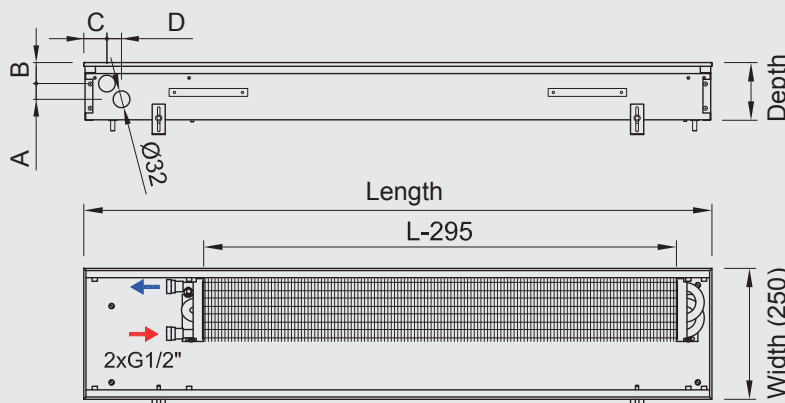
MODELS

- PTN-250/80:** 80 mm depth (2 pass)
PTN-250/90: 90 mm depth (2 pass)
PTN-250/110: 110 mm depth (4 pass)
PTN-250/125: 125 mm depth (4 pass)
PTN-250/140: 140 mm depth (4 pass)

DIMENSIONS (mm)

| Model | 80 | 90 | 110 | 125 | 140 |
|-------|-----|-----|-----|-----|-----|
| A | N/A | N/A | 30 | 30 | 30 |
| B | 43 | 43 | 40 | 40 | 40 |
| C | 35 | 35 | 44 | 44 | 44 |
| D | 38 | 38 | 28 | 28 | 28 |
| G | N/A | N/A | 30 | 30 | 30 |
| H | 43 | 43 | 40 | 40 | 40 |
| J | 50 | 50 | 37 | 37 | 37 |
| K | 60 | 60 | 88 | 88 | 88 |

PTHN-250/110 (2 pass)



PTHN-250 – SELECTION DATA

| Q[W] 75/65/20°C (ΔT=50°C) | | HEATING OUTPUT [W] | | | | |
|------------------------------|------|--------------------|-------------------|-------------------|--------------------|--------------------|
| | | 250/80 n=1.369 | 250/90 n=1.375 | 250/110 n=1.46 | 250/125 n=1.457 | 250/140 n=1.443 |
| Lengths (mm) | 700 | 115 | 137 | 166 | 188 | 200 |
| | 900 | 172 | 205 | 248 | 281 | 298 |
| | 1200 | 257 | 306 | 371 | 421 | 446 |
| | 1500 | 343 | 408 | 495 | 560 | 593 |
| | 1800 | 428 | 510 | 618 | 700 | 741 |
| | 2100 | 513 | 611 | 741 | 839 | 889 |
| | 2400 | 598 | 713 | 864 | 978 | 1036 |
| | 3000 | 769 | 916 | 1110 | 1257 | 1332 |
| | 3600 | 940 | 1119 | 1357 | 1536 | 1627 |
| | 4200 | 1110 | 1322 | 1603 | 1815 | 1922 |
| | 4800 | 1281 | 1526 | 1849 | 2094 | 2218 |

| Q[W] 55/45/20°C (ΔT=30°C) | | HEATING OUTPUT [W] | | | | |
|------------------------------|------|--------------------|-------------------|-------------------|--------------------|--------------------|
| | | 250/80 n=1.369 | 250/90 n=1.375 | 250/110 n=1.46 | 250/125 n=1.457 | 250/140 n=1.443 |
| Lengths (mm) | 700 | 57 | 68 | 79 | 89 | 96 |
| | 900 | 85 | 102 | 118 | 134 | 143 |
| | 1200 | 128 | 152 | 176 | 200 | 213 |
| | 1500 | 170 | 202 | 235 | 266 | 284 |
| | 1800 | 213 | 253 | 293 | 333 | 355 |
| | 2100 | 255 | 303 | 351 | 399 | 425 |
| | 2400 | 297 | 353 | 410 | 465 | 496 |
| | 3000 | 382 | 454 | 526 | 597 | 637 |
| | 3600 | 467 | 554 | 644 | 730 | 778 |
| | 4200 | 552 | 655 | 760 | 862 | 920 |
| | 4800 | 637 | 756 | 877 | 995 | 1061 |

75/65/20 °C → 75°C inlet temperature, 65°C outlet temp., 20 °C room temp. / **Output 90/70/20 °C** = ~ 1,29 x 75/65/20 °C / **Output 70/55/20 °C**
 = ~ 0,80 x 75/65/20 °C / Heating outputs in accordance with EN442 / Not listed heating outputs for lengths per 100 mm steps calculate linearly.