



PRPV-C

- > Circular CAV
- > Mechanical
- > Single/Double Wall

DESCRIPTION

The PRPV-C is a constant air volume unit for circular duct installation. The internal damper is designed to automatically maintain air volume independent of supply air pressure. With a working temperature of -20°C to +70°C.

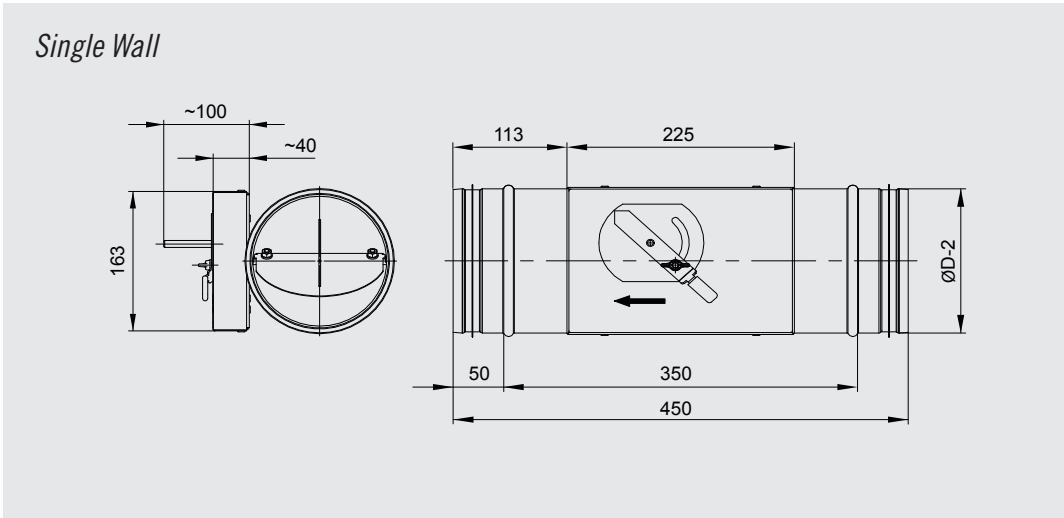
CONSTRUCTION

Galvanised steel housing and damper.

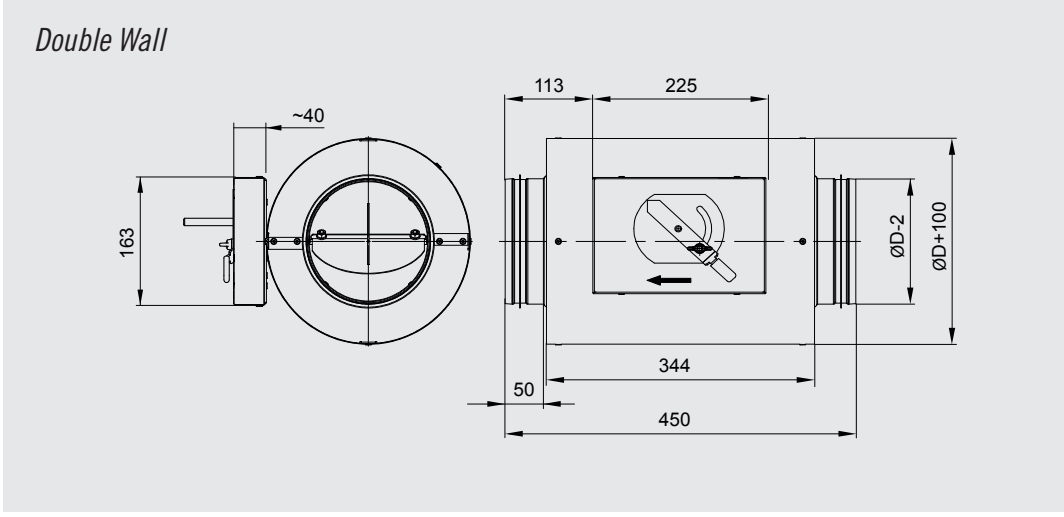
Finish:
Zinc coated.

MODELS

PRPV-C: Single Wall CAV
PRPV-C/Z: Double Wall CAV



DIMENSIONS (mm)		
Size	Air Flow (m ³ /s)	
	Min	Max
Ø 100	0.027	0.055
Ø 125	0.044	0.111
Ø 160	0.083	0.194
Ø 200	0.125	0.333
Ø 250	0.138	0.500
Ø 315	0.250	0.694
Ø 400	0.388	1.250



NOTES
All dimensions are given in mm.