

# PRPV-R

- > Rectangular CAV
- > Mechanical
- > Single/Double Wall

## DESCRIPTION

The PRPV-R is a constant air volume unit for rectangular duct installation. The internal damper is designed to automatically maintain air volume independent of supply air pressure. With a working temperature of -20°C to +70°C.

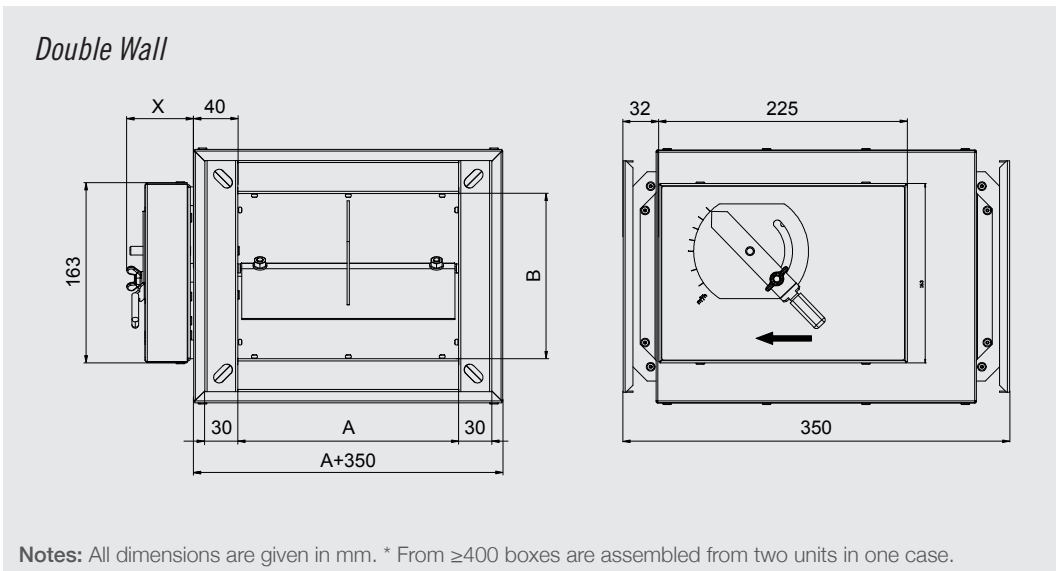
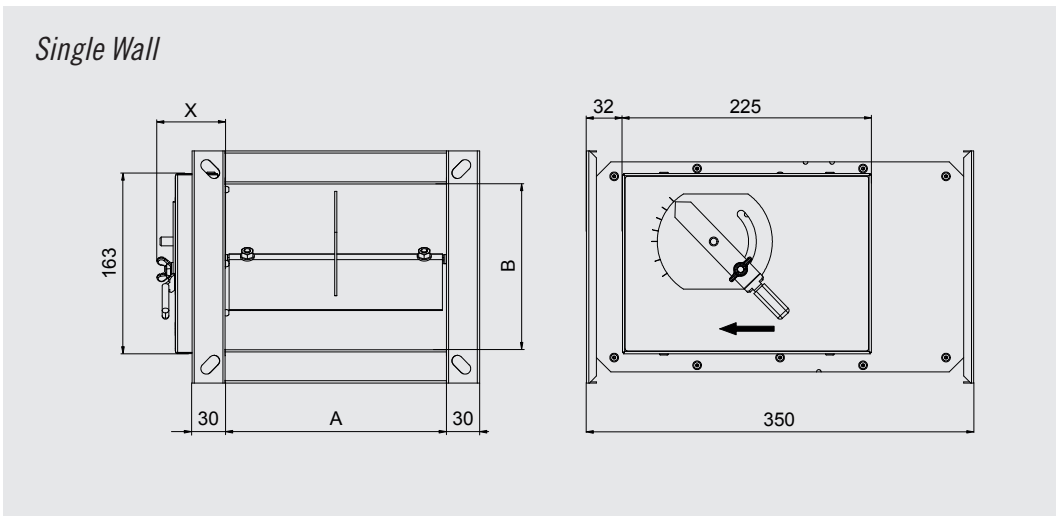
## CONSTRUCTION

Galvanised steel housing and damper.

**Finish:**  
Zinc coated.

## MODELS

**PRPV-R:** Single Wall CAV  
**PRPV-R/Z:** Double Wall CAV



**Notes:** All dimensions are given in mm. \* From ≥400 boxes are assembled from two units in one case.

DIMENSIONS (mm)			
Size	X	Air Flow (m <sup>3</sup> /s)	
		Min	Max
200 x 100	62	0.069	0.194
200 x 150	62	0.111	0.277
200 x 200	62	0.138	0.361
300 x 100	62	0.111	0.277
300 x 150	62	0.138	0.416
300 x 200	62	0.166	0.555
300 x 250	62	0.222	0.694
300 x 300	81	0.277	0.833
400 x 200	81	0.250	0.750
400 x 250	87	0.333	0.944
400 x 300	81	0.416	1.166
400 x 400	*81	0.500	1.500
500 x 200	81	0.305	0.944
500 x 250	87	0.416	1.166
500 x 300	120	0.500	1.333
500 x 400	*81	0.611	1.888
500 x 500	*87	0.833	2.333
600 x 200	120	0.416	1.111
600 x 250	120	0.500	1.388
600 x 300	120	0.583	1.666
600 x 400	*120	0.833	2.222
600 x 500	*120	1.000	2.777
600 x 600	*120	1.166	3.333